

# Clean-Flow® Jr.



**REVOLUTIONARY NEW DESIGN re-defines the shape of Blanchers, Cookers, and Coolers for the future!**

- Double capacity in less space with Hydro-Flow®
- Guarantees uniform cook or cool with Hydro-Flow®
- Water Plenum Discharge dramatically improves sanitation
- Clean-Up Times reduced from Hours to Minutes
- Applications include any small diameter product
- Initial Lower Cost and daily operating investment



# Lyco Clean-Flow® Blanchers & Cooker/Coolers

## The Only Machines of this Design in the World!

### ADVANTAGE-CAPACITY - Sizing Chart based upon Product Bulk Density of 50 lbs./cu. ft. (800 kg/m<sup>3</sup>)

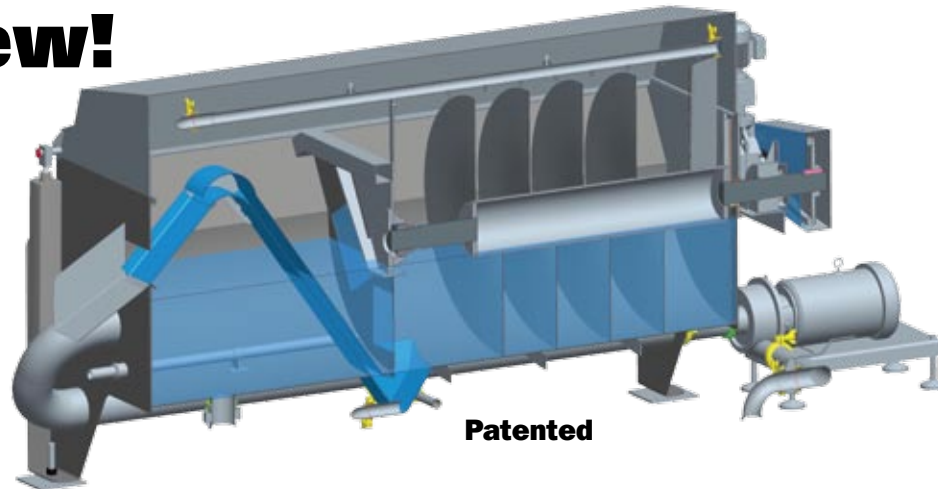
KAPAZITÄTSVORTEIL Größentabelle nach Produkt-Füllichte von 22,68 kg/Kubikfuß (800 kg/m<sup>3</sup>)

CAPACITÉ AVANTAGE dimensions du blancheur rotatif - 22,68 kg/0,02 m<sup>3</sup>/800 kg/m<sup>3</sup>

VENTAJA DE CAPACIDAD Tabla de dimensiones basadas en una Densidad del Producto a Granel de -22.68 lbs/pie cúbico/800 Kg/m<sup>3</sup>

Minutes	1	2	3	4	5	6	7	8	9	10
40" x 4' / 9" PPH 1m x 1m kgPH	15,000 6,800	7,500 3,400	5,000 2,262	3,750 1,700	3,000 1,350	2,500 1,133	2,150 975	1,875 850	1,650 748	1,500 680
40" x 7' / 9" PPH 1m x 2m kgPH	26,400 12,000	13,200 6,000	9,000 4,082	6,600 2,933	5,400 2,450	4,500 2,050	3,750 1,700	3,300 1,500	2,950 1,400	2,650 1,200
50" x 10' / 12" PPH 1.5m x 3m kgPH	74,000 33,565	37,000 16,782	23,000 10,432	18,700 8,482	14,500 6,577	11,500 5,216	10,500 4,762	9,350 4,241	8,250 3,742	7,350 3,333

## New!



### Return on Investment

- 5% increase in recovery
- 3-day increase in shelf life
- Closed loop chilling saves water
- Less process water required
- Less waste water to dispose of
- Higher efficiency saves space

#### Kapitalrendite

- 5% Rückgewinnungssteigerung
- 3-Tage längere Haltbarkeit
- Geschlossener Kühlkreislauf spart Wasser
- Prozesswasserreduzierung
- Abwasserreduzierung
- Platz sparend durch größere Effizienz

#### Rentabilité du capital investi

- Augmente la récupération de 5%
- Augmente le temps de stockage de 3 jours
- Boucle de refroidissement fermée qui économise de l'eau
- Besoin minimum d'eau traitée
- Quantité minimum d'eau usée
- Le rendement élevé économise de l'espace

#### Retorno de la inversión

- 5% de incremento en la recuperación
- Incremento de 3 días en la vida útil de almacenamiento
- El enfriamiento de circuito cerrado ahorra agua
- Se requiere menos agua para el proceso
- Se produce menos agua de desperdicio
- Su alta eficiencia ahorra espacio



Leaders in Food Processing Innovation

Führend in der Lebensmittelverarbeitung

Chefs en innovation de traitement des aliments

Líderes en la innovación en el procesamiento de alimentos

P.O. Box 31 115 Commercial Drive

Columbus, WI 53925

Phone: 920-623-4152 Fax: 920-623-3780

www.lycomfg.com E-mail: sales@lycomfg.com